

# Full Bore Ball Valves

## Specification

When there is a need to ensure that there is a minimum of flow restriction within a piping system, then an ideal way of providing isolation is via a full bore valve.

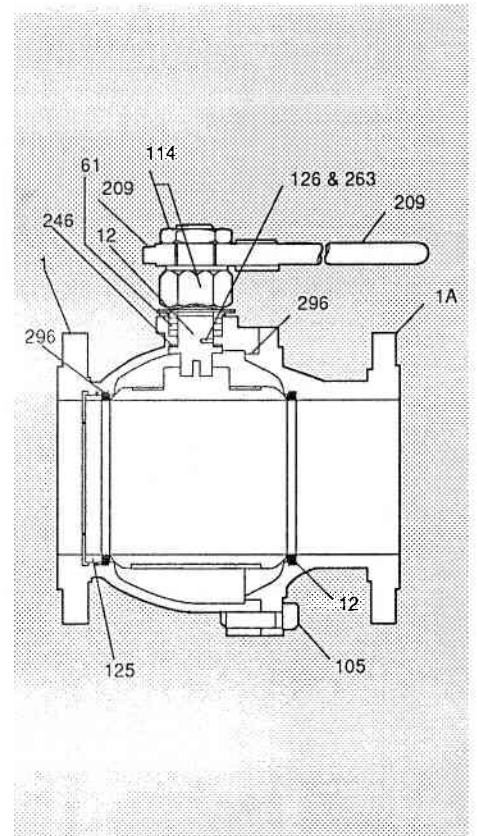
Wolstenholmes full bore valve allows the ball to be assembled through a split body design, the bore

dimension of the ball being equal to the end port of the valve, thus ensuring the absolute minimum pressure drop through the valve.

STANDARD CONNECTIONS AVAILABLE:  
Class 150 Valves (Full and Reduced Bore):  
ANSI B16.5 Class 150 BS4504 PN6,10 & 16

## Material Specifications

REF	COMPONENT	MATERIAL	BS SPEC
1	BODY HALF	CARBON STEEL	CS.BS1504-161-480
	STAINLESS STEEL	SS.BS1504-316-C16	
1A	BODY CONNECTOR	CARBON STEEL	CS.BS1504-161-480
	STAINLESS STEEL	SS.BS1504-316-C16	
105	BODY SETSCREW	CARBON STEEL	BS4168.Gr12.9
124	BALL	STAINLESS STEEL	SS.BS1504-316-C16
125	BACK UP RING	STAINLESS STEEL	SS.BS1504-316-C16
12	STEM	STAINLESS STEEL	SS.BS1504-316-S31
	GLAND	STAINLESS STEEL	SS.BS1504-316-S31
12	SEAT	VIRGIN P.T.F.E.	
209	LEVER HEAD	CARBON STEEL	
209	LEVER	MILD STEEL	MS.BS970-070-M20
296	'O' SEAL	VITON 'B'	
296	THRUST WASHER	ALUM. BRONZE FILLED P.T.F.E	AB.BS2874-CA104
126 & 263	ANTI-STATIC ASSY	STAINLESS STEEL	SS.BS970-316-S31
61	GLAND PACKING	PURE GRAPHITE	PRESSED RING
281	LEVER STOP	MILD STEEL	MS.BS970-070-M20
105	SEAT ADJ SCREW	STAINLESS STEEL	SS.BS970-316-S31
114	LOCK NUT	CARBON STEEL	BS4190.GR4
114	SELF LOCKING NUT	STEEL	BS4929
102	NAMEPLATE	STAINLESS STEEL	SS.BS1501-801B
102	NAMEPLATE		
	SETSCREW	STAINLESS STEEL	SS.BS1501-801B
	SPRING WASHER	SPRING STEEL	



## Dimensions

Size mm	50	80	100	150	200	250
A	203	241	305	394	457	533
B	134	152	183.5	242	TO SUIT GEAR BOX	
C	300	300	600	600		
D	73	86	100	133	173	206
Weight kg	12.3	22	36	67.7	133	190

